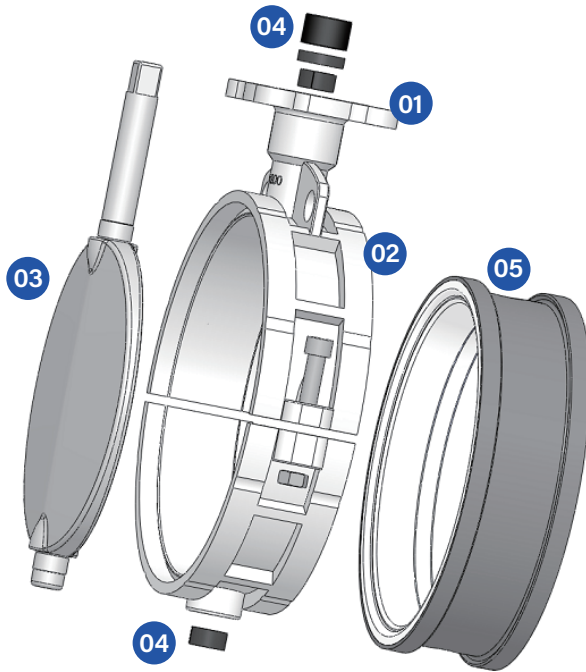


KEYVALVE

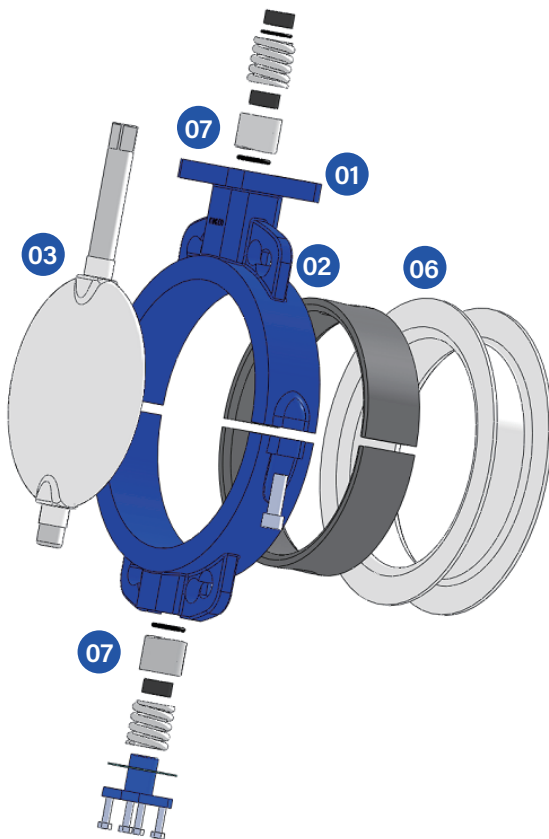
KEYVALVE Co., Ltd.



**Butterfly Valve
Resilient Seated**



KV-68 / KV-88



KV-98

■ Main Feature

01

Installation Flange

- Flange of actuator connection is according to ISO 5211 standard
- Different type of actuator is available including pneumatic, electric, hand lever or worm gear.

02

Body Structure

- Slim design, minimum space required, easy for installation.

03

Disc and Stem

- One piece design with precise dimension and accurate position, large flowrate and low resistance.
- Mechanical polishing surface, provides smooth surface with great finishing, assure the disc closes tightly with zero leakage.
- PFA or combined material coating is available for disc.

04

Bushing

- Self-lubricating, heavy duty, provides excellent support for shaft, maintenance free with long service life.

05

Seat

- PTFE lined with EPDM, excellent corrosion resistant and heat resistant.
- Easy for installation and maintenance free.

■ KV-98 Feature

06

Seat

- PTFE lined, provides excellent corrosion resistant and heat resistant.
- Behind lining is silicone rubber or Fluoroelastomer, it provides great elastic support.
- Replicable and easy for maintenance, cost effectively.

07

Bushing

- Spring loads on both ends of shaft, ensures bushings are tightly sealed.
- Triple sealings design, free leakage with long service life

■ Application

KV series butterfly valve is designed for high corrosion and high temperature working environment. The products are used in industry including food & beverage, drinking water, water treatment, oil & chemical, dye processing and palm oil production etc.

■ Product Description

Product	KV-68	KV-88	KV-98
Nominal Size	DN40~DN500	DN50~DN300	DN50~DN300
Nominal Pressure	1.0Mpa-1.6MPa		
Body	GGG-40.3 GJS400-18	SA351 CF8	GGG-40.3 GJS400-18
Seat	PTFE lined with EPDM		PTFE
Discs	SA351 CF8M (option: coated by PFA or combined material)		
Working Temperature	-40°C~150°C		-40°C~220°C
Flange Standard	GB, DIN, ASME, JIS	GB, DIN	GB, DIN, ASME, JIS
Connection	Wafer Type		
Operated by	Pneumatic, Electric, Hand Lever, Worm Gear		
Leakage Test	Leakage Standard EN12266-1 level A		
Performance Highlight	<ul style="list-style-type: none"> • High Value • General Application • Seat with excellent elastic support 	<ul style="list-style-type: none"> • Great performance in corrosive environment • High flowrate (Kv value) • Seat with excellent elastic support 	<ul style="list-style-type: none"> • High temperature and high corrosion resistant • Excellent seal performance • PTFE lined body & coated disc

■ Product Structure



KV-68

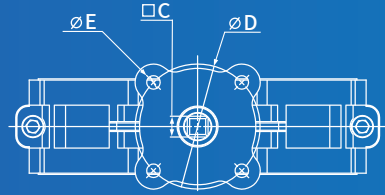
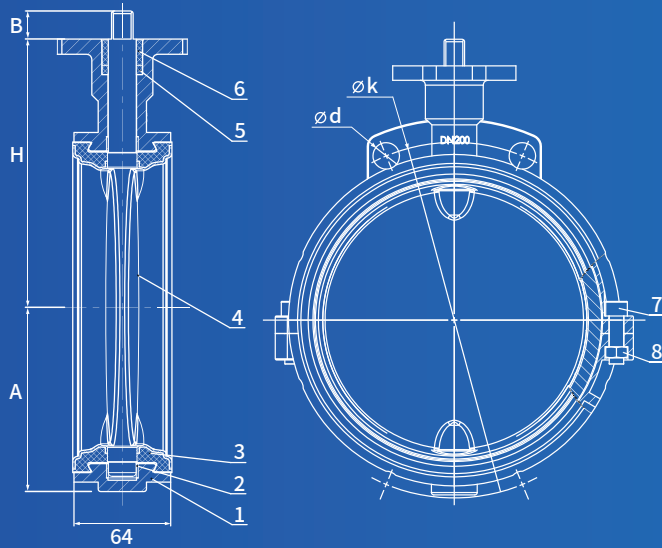


KV-88



KV-98

KV-88 Specification and Dimensions



Item	Part	Material
1	Body	SA351 CF8
2	Bushing	SS304+PTFE
3	Seat	SS304 + PTFE
4	Disc & Stem	SA351 CF8M <small>Coated by PFA or combined material</small>
5	O-Ring	Silicone Rubber
6	Bush	PTFE + Graphite
7	Bolt	SS304
8	Nut	SS304

Dimensions(mm)

DN	50	65	80	100	125	150	200	250	300	
L	41	44	47	57.5	61	61	76	77	87	
H	125	125	142	152	163	174	211	240	265	
A	50	64	74	84	100	112	140	170	202	
B	16	16	16	19	9	24	24	29	29	
C	11	11	11	12	17	17	17	22	27	
D	50	50	70	70	102	102	102	125	125	
n x øE	4x7	4x7	4x9	4x9	4x11	4x11	4x11	4x13	4x13	
GB/ DIN	ΦK	125	145	160	180	210	240	295	350	400
	n x Φd	4x18	4x18	8x18	8x18	8x18	8x22	12x22	12x26	12x26
	Bolt & Nut	M16	M16	M16	M16	M16	M20	M20	M24	M24
Torque (Nm)	28	32	48	71	100	150	253	380	540	
Weight (kg)	2.2	2.5	3	3.8	6.7	8	13.5	18.6	30	

Option Item



E/P or P/P Positioner



Air Regulator

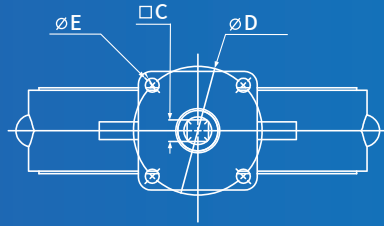
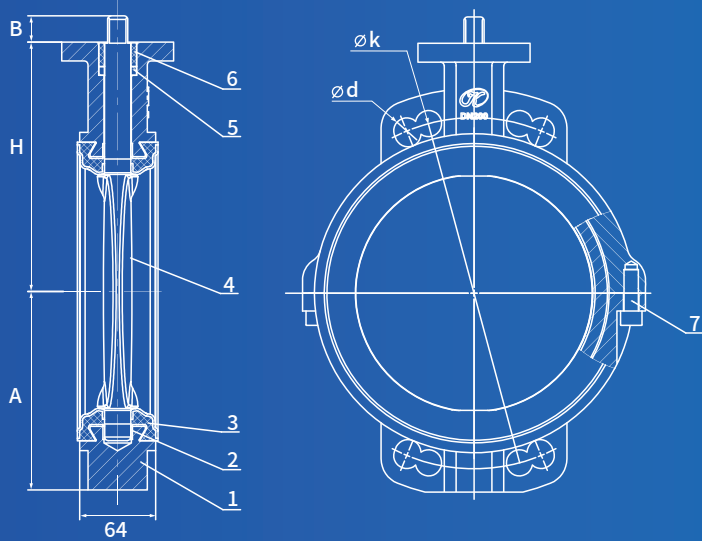


Limit Switch



Solenoid Valve

KV-68 Specification and Dimensions

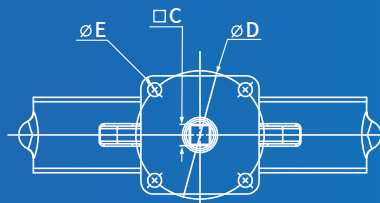
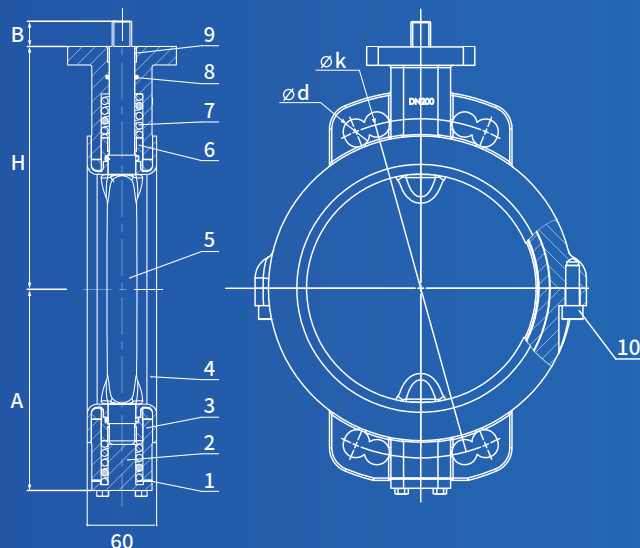


Item	Part	Material
1	Body	GGG-40.3 GJS400-18
2	Bearing	SS304+PTFE
3	Seat	PTFE lined with EPDM
4	Disc & Stem	SA351 CF8M Coated by PFA or combined material
5	O-Ring	Silicone Rubber
6	Bushing	PTFE + Graphite
7	Bolt & Nut	SS304

Dimensions(mm)

DN	40	50	65	80	100	125	150	200	250	300	350	400	450	500	
L	33	41	44	44	51	54	54	64	64	76	76	102	108	127	
H	110	125	125	142	152	164	175	210	240	269	310	385	410	445	
A	44	50	58	89	104	118	131	167	195	230	268	300	318	350	
B	13	15	15	15	18	18	23	23	28	28	38	38	48	48	
C	11	11	11	11	12	14	14	17	22	22	27	27	36	36	
D	50	50	50	70	70	102	102	102	125	125	140	140	165	165	
nxØE	4x7	4x7	4x7	4x9	4x9	4x11	4x11	4x11	4x13	4x13	4x17.5	4x17.5	4x21.5	4x21.5	
ASME (in)	ΦK	3.88	4.75	5.5	6	7.5	8.5	9.5	11.75	14.25	17	18.75	21.25	22.75	25
	nxΦd	4x0.62	4x0.75	4x0.75	4x0.75	8x0.75	8x0.88	8x0.88	8x0.88	12x1.0	12x1.0	12x1.12	16x1.12	16x1.25	20x1.25
	Bolt & Nut	1/2	5/8	5/8	5/8	5/8	3/4	3/4	3/4	7/8	7/8	1	1	1 1/8	1 1/8
JIS	ΦK	105	120	140	150	175	210	240	290	355	400	445	510	565	620
	nxΦd	4x19	4x19	4x19	8x19	8x19	8x23	8x23	12x23	12x25	16x25	16x25	16x27	20x27	20x27
	Bolt & Nut	M16	M16	M16	M16	M16	M20	M20	M20	M22	M22	M22	M24	M24	M24
GB/ DIN	ΦK	98.5	125	145	160	180	210	240	295	350	400	460	515	565	620
	nxΦd	4x18	4x18	4x18	8x18	8x18	8x18	8x22	12x22	12x26	12x26	16x22	16x26	20x26	20x26
	Bolt & Nut	M16	M16	M16	M16	M16	M16	M20	M20	M24	M24	M20	M24	M24	M24
Torque (Nm)	24	28	32	48	71	100	150	253	380	540	782	1047	1392	1794	
Weight (kg)	2	2.8	3.3	3.8	5.1	6.8	8.4	14.5	20.2	33.5	41.5	60.5	90.0	109.0	

KV-98 Specification and Dimensions

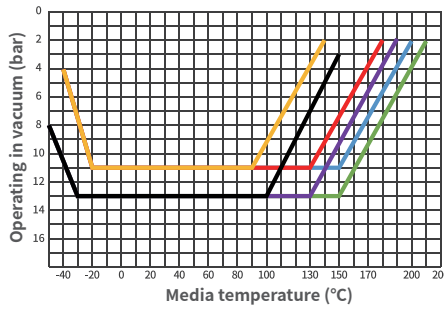
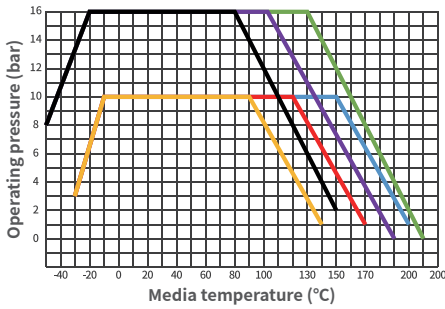


Item	Part	Material
1	Gasket	GP300G
2	End-Cap	SAE1045
3	Body	GGG-40.3 GJS400-18
4	Seat	PTFE lining with silicone rubber or Fluoroelastomer
5	Disc & Stem	SA351 CF8M
6	Bushing	A182 F304
7	Spring	A182 F304
8	O-Ring	Silicone Rubber or Fluoroelastomer
9	Bushing	SS304+PTFE
10	Bolt	SS304

Dimensions(mm)

DN	50	65	80	100	125	150	200	250	300	
L	41	44	44	51	54	54	64	64	76	
H	125	125	142	152	164	175	210	240	269	
A	50	58	89	104	118	131	167	195	230	
B	15	15	15	16	20	20	20	25	25	
C	11	11	11	12	14	14	17	22	22	
D	50	50	70	70	102	102	102	125	125	
nxøE	4x7	4x7	4x9	4x9	4x11	4x11	4x11	4x13	4x13	
ASME (in)	øK	4.75	5.5	6	7.5	8.5	9.5	11.75	14.25	17
	nxød	4x0.75	4x0.75	4x0.75	8x0.75	8x0.88	8x0.88	8x0.88	12x1.0	12x1.0
	Bolt	5/8	5/8	5/8	5/8	3/4	3/4	3/4	7/8	7/8
JIS	øK	120	140	150	175	210	240	290	355	400
	nxød	4x19	4x19	8x19	8x19	8x23	8x23	12x23	12x25	16x25
	Bolt	M16	M16	M16	M16	M20	M20	M20	M22	M22
GB/ DIN	øK	125	145	160	180	210	240	295	350	400
	nxød	4x18	4x18	8x18	8x18	8x18	8x22	12x22	12x26	12x26
	Bolt	M16	M16	M16	M16	M16	M20	M20	M24	M24
Torque (Nm)	28	33	50	72	100	150	247	368	550	
Weight (kg)	2.2	2.6	3.0	4.1	5.4	6.7	11.6	16.2	26.8	

■ Flow Characteristics



- DN40-DN300 PTFE lined EPDM

- DN350-DN500 PTFE lined EPDM

- DN50-DN300 PTFE lined, with Fluoroelastomer

- DN350-DN500 PTFE lined, with Fluoroelastomer

- DN50-DN300 PTFE lined, with Silicone Rubber

- DN350-DN500 PTFE lined, with Silicone Rubber

KV-68	Kv valve (m ³ /h) with Stainless Steel Disc								
	Opening α°	20	30	40	50	60	70	80	90
	DN (mm)	20	30	40	50	60	70	80	90
40	68	104	167	200	238	243	273	302	
50	76	115	186	222	264	270	303	335	
65	102	154	250	298	354	363	407	450	
80	137	207	336	400	476	488	547	605	
100	222	336	544	648	772	791	885	980	
125	348	526	852	1016	1209	1238	1387	1535	
150	457	690	1118	1333	1586	1625	1819	2014	
200	803	1214	1967	2344	2789	2857	3200	3542	
250	1303	1973	3198	3810	4533	4645	5201	5758	
300	1915	2895	4691	5590	6651	6815	7631	8448	
350	2158	3262	5287	6299	7495	7679	8600	9520	
400	2693	4072	6598	7862	9355	9585	10733	11882	
450	3555	5374	8709	10376	10376	12650	14166	15682	
500	4280	6470	10486	12494	12494	15231	17057	18882	

KV-88	Kv valve (m ³ /h) with Stainless Steel Disc								
	Opening α°	20	30	40	50	60	70	80	90
	DN (mm)	20	30	40	50	60	70	80	90
50	76	115	186	222	264	290	303	335	
65	130	197	319	380	453	497	519	575	
80	186	281	455	543	646	709	741	820	
100	257	389	630	750	893	981	1024	1134	
125	399	603	978	1165	1386	1523	1591	1761	
150	548	829	1343	1600	1904	2091	2184	2418	
200	937	1416	2295	2735	3254	3334	3733	4133	
250	1345	2033	3295	3926	4672	4787	5360	5934	
300	1949	2947	4776	5690	6771	6937	7769	8600	

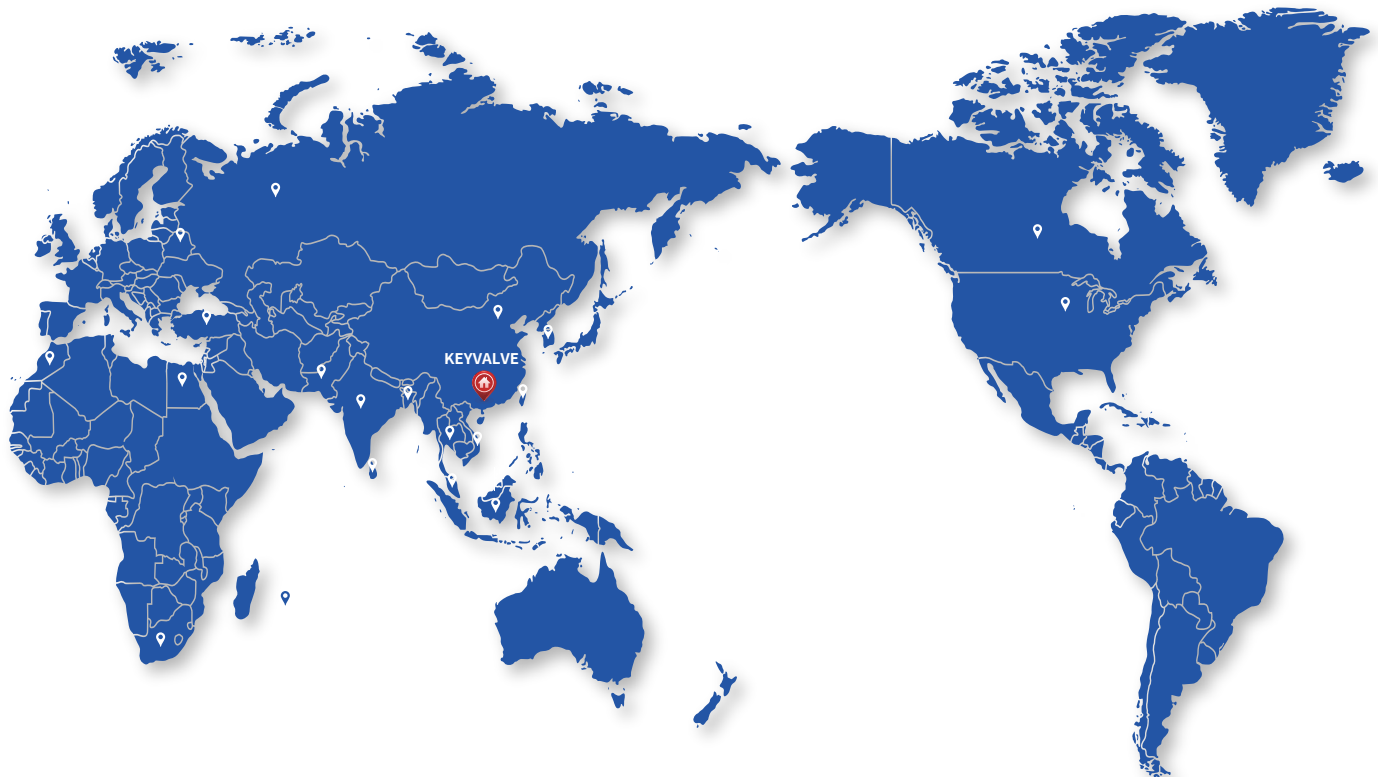
KV-98	Kv valve (m ³ /h) with Stainless Steel Disc								
	Opening α°	20	30	40	50	60	70	80	90
	DN (mm)	20	30	40	50	60	70	80	90
50	68	103	168	200	238	244	273	302	
65	92	139	225	268	319	327	366	405	
80	124	187	303	361	429	440	492	545	
100	200	302	490	584	694	711	797	882	
125	313	474	767	914	1088	1115	1248	1382	
150	411	621	1007	1200	1427	1462	1638	1813	
200	723	1092	1770	2109	2510	2572	2880	3188	
250	1175	1776	2878	3429	4080	4180	4681	5182	
300	1723	2605	4222	5031	5986	6133	6868	7603	

Kv valve (m³/h) pressure different 1 bar, temperature is 5°C to 30°C. Valve open 30° to 90° is almost linear.

KEYVALVE is a company specializing on research and development for steam and fluid control technology. Adhering to our advance knowledge and rich experiences, we provide technical advices and solutions for steam, liquid media and other fluid control applications.

KEYVALVE technical team has more than 30 years of experience in design and manufacture of steam and fluid control products. We acquired TÜV approval for PED 2014/68/EU Module H and ISO 9001. Also, we strictly enforce quality control on each product. We guarantee all products are reliable and performance as well. Our vision is “Customers Value Added” and the core value is “Quality to be First, Best Service, Customer-Oriented, and Sustainable Development”.

KEYVALVE’s products have been sold to 20 countries. Customers are world-renowned companies in various industries including textile, chemical, paper, lithium battdry, rubber, palm oil refining and others.



KEYVALVE 's products sold to world-wide countries

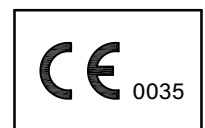
KEYVALVE Co., Ltd.

Units 4108-09, Level 41, Tower II, Metroplaza No.223
Hing Fong Road, Kwai Chung, N.T., Hong Kong
Tel: (852) 2892 8878

KEYVALVE (Shenzhen) Co., Ltd.

501-02 No.1 Complex Building, No.2 Lane 1, Shangxue Science & technology Industrial Park, Bantain, Shenzhen, Guangdong, China
Tel: (86) 755 8935 0380

E-mail: enquiry@keyvalveltd.com
Website: www.keyvalveltd.com



KEYVALVE/2023-01/EN version, information provided is according to the latest design. Any change of design will be the right of Keyvalve Co., Ltd. The design is copyright of Keyvalve Co., Ltd.